

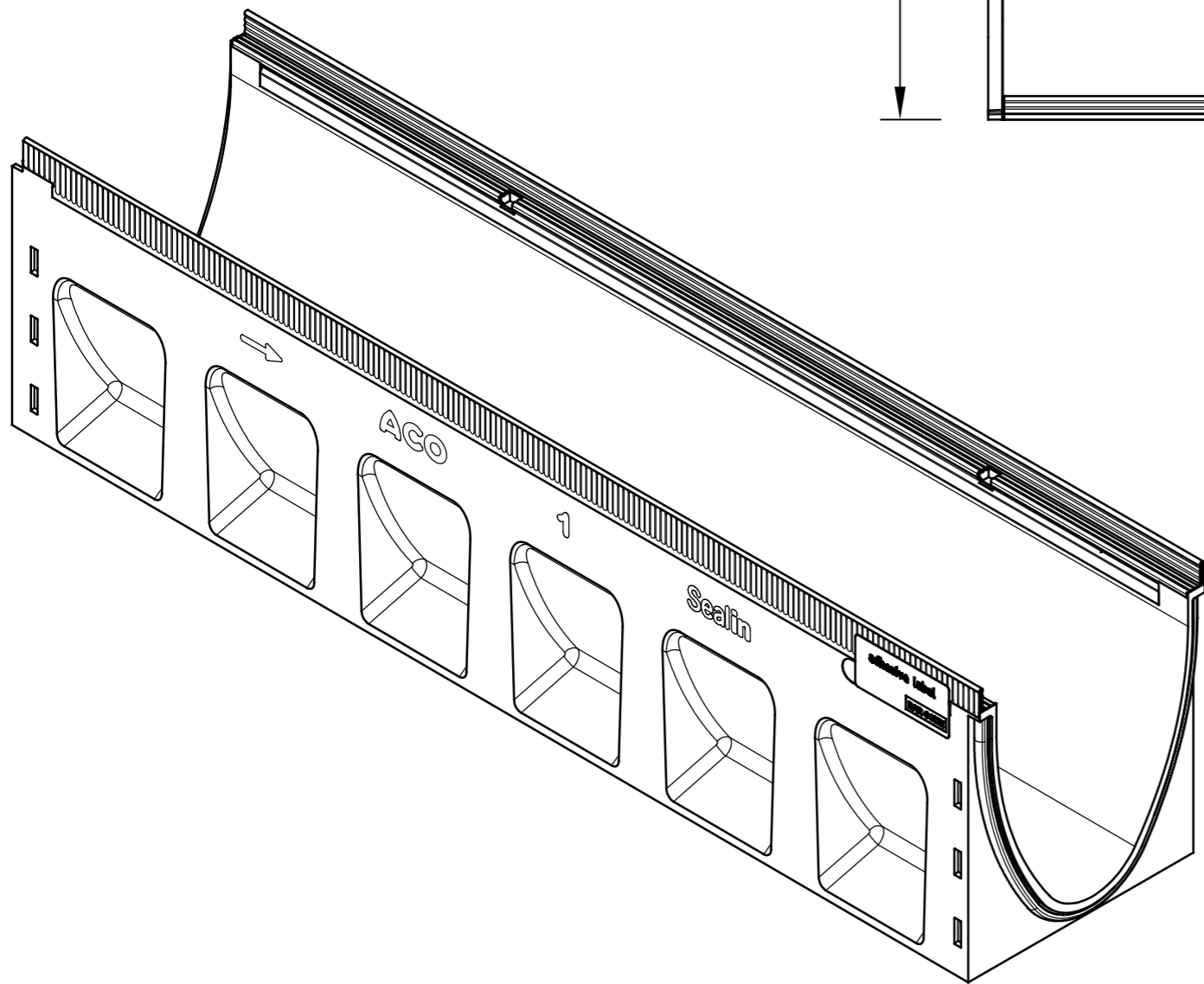
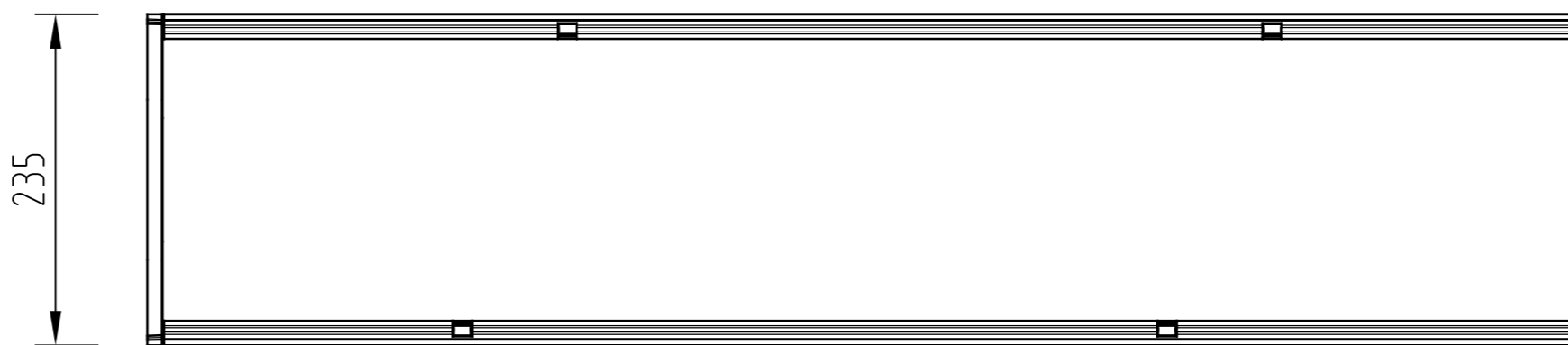
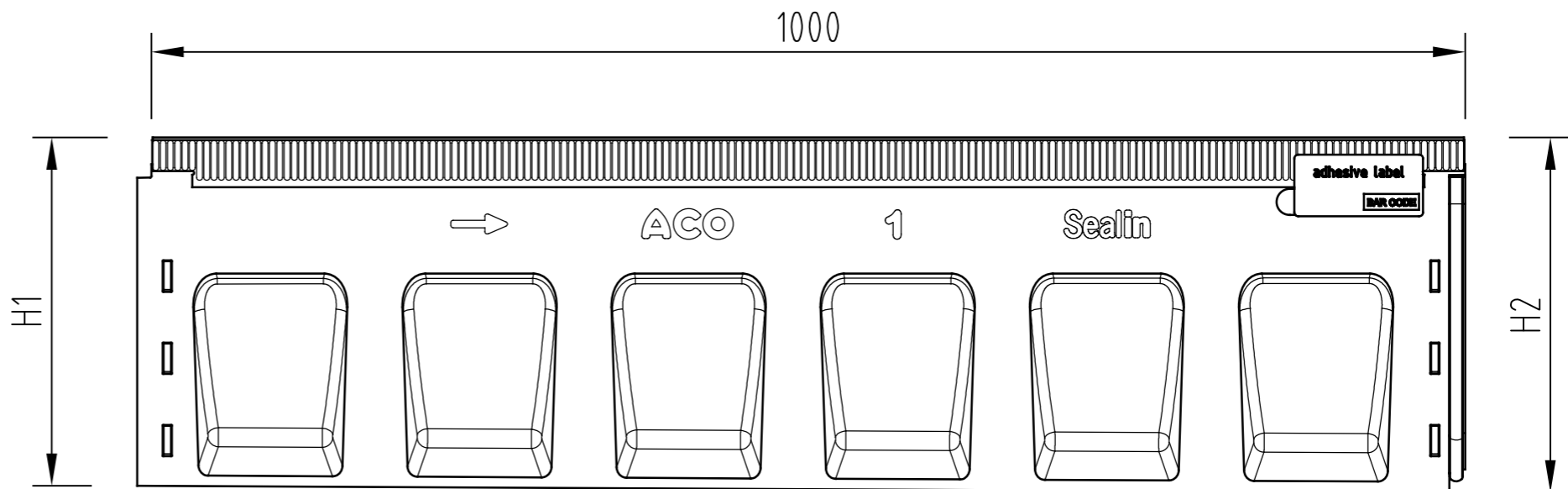
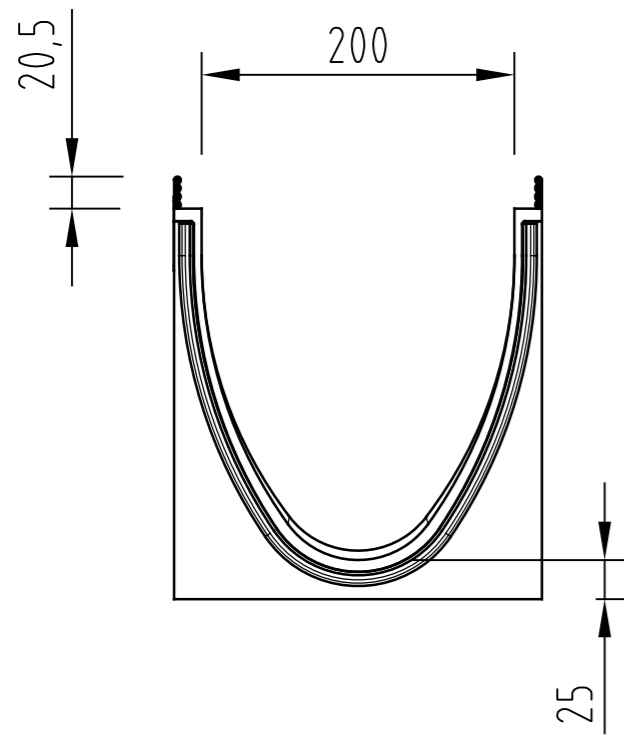




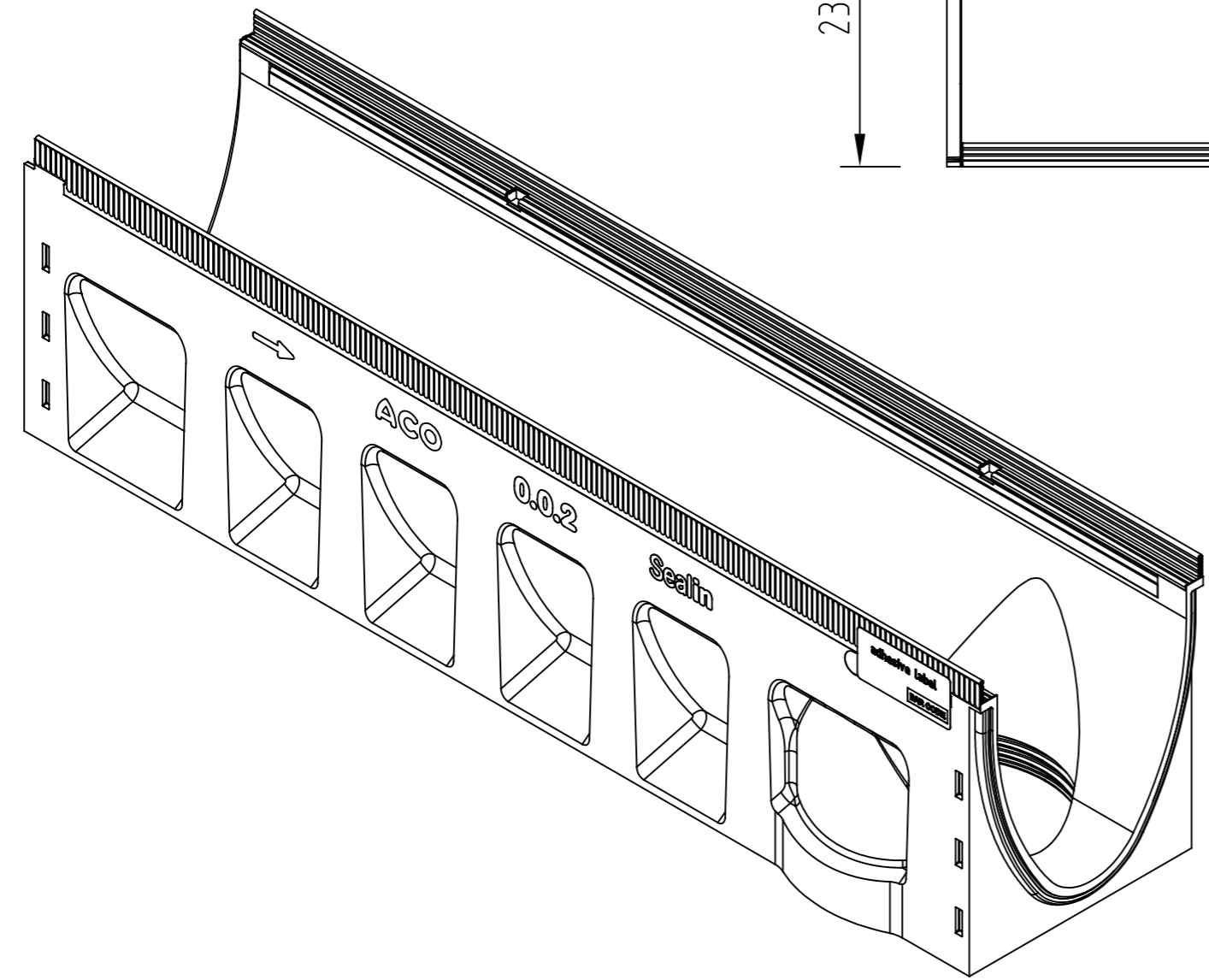
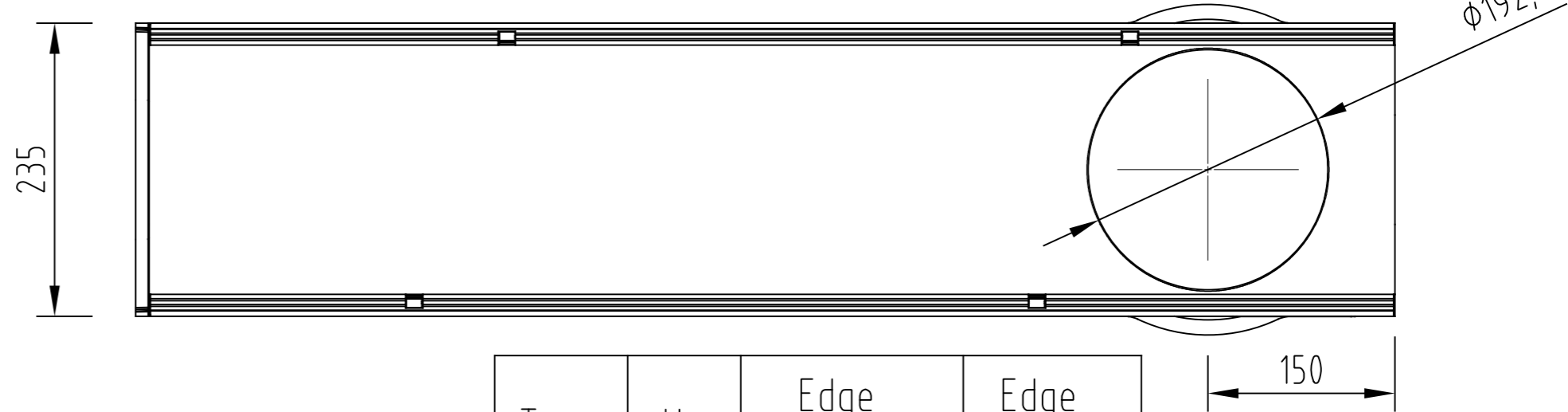
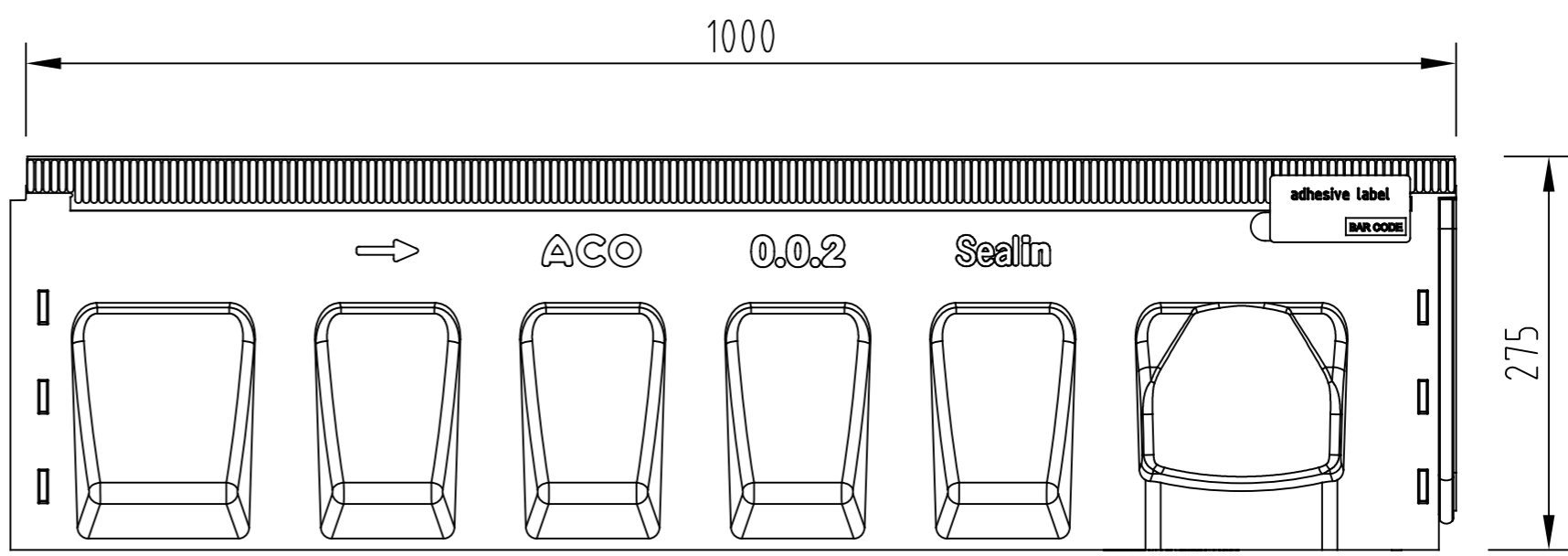
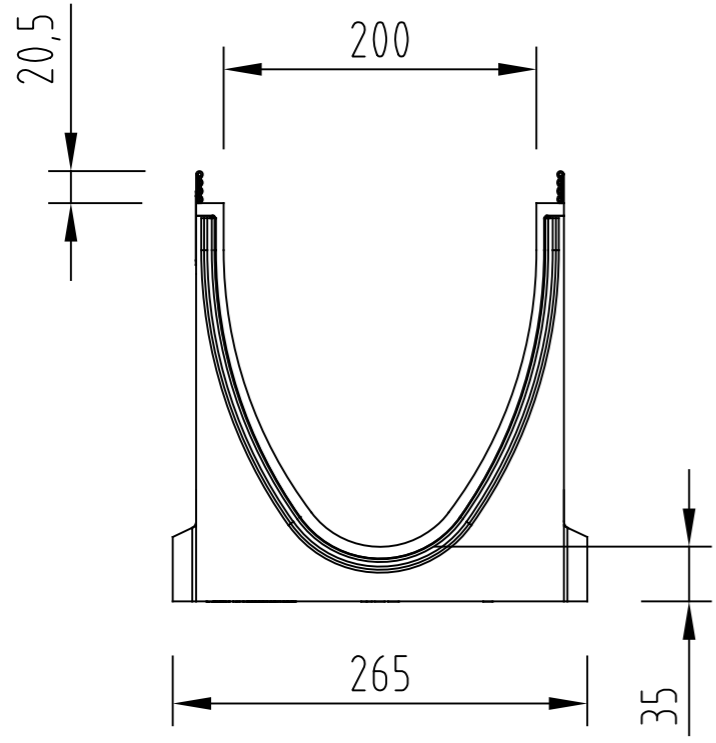
| Type | H (mm) | Edge galv. steel Art.-No. | Edge stainl. st. Art.-No. |
|------|--------|---------------------------|---------------------------|
| 0.0 | 265 | 133530 | 133730 |
| 5.0 | 290 | 133540 | 133740 |
| 10.0 | 315 | 133550 | 133750 |
| 20.0 | 365 | 133570 | 133770 |

| | | | |
|--|--------------------------|--------------|---|
|  <p>ACO SEVERIN AHLMANN GmbH & Co.KG 24755 Rendsburg, P.O.Box 320 Germany Tel. 0049 4331 / 354-0 Fax 0049 4331 / 354 130 www.aco.com</p> | drawing-no: | index: | documenttype: marketing drw. |
| | created by: G. Olesen | reviewed by: | projection:ISO-E  scale: 1:1 |
| title: Multiline Seal in Channel V200S 1m 0.0-20.0 with galvanized steel stainless steel rail Here shown type 0.0 | | | |
| The reproduction, distribution and utilization of this document as well as the communication of its contents to others without express authorization is prohibited. Offenders will be held liable for the payment of damages. All rights reserved in the event of the grant of a patent, utility model or design. Observe copyright by ISD 16016 | | | release date: sheet: 1/1 |





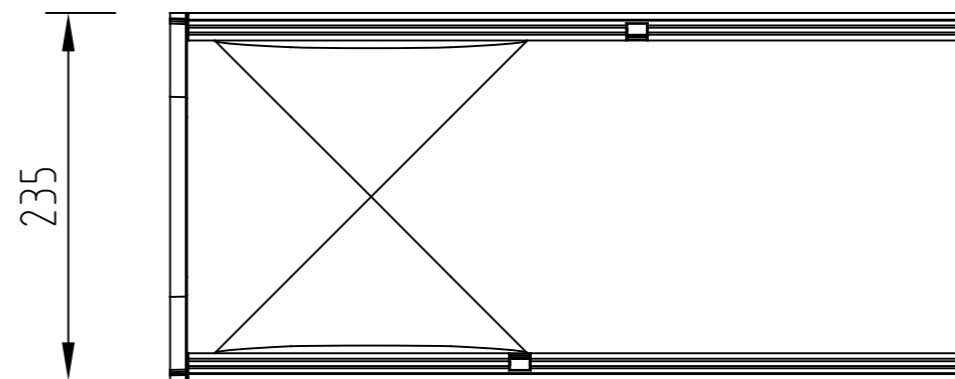
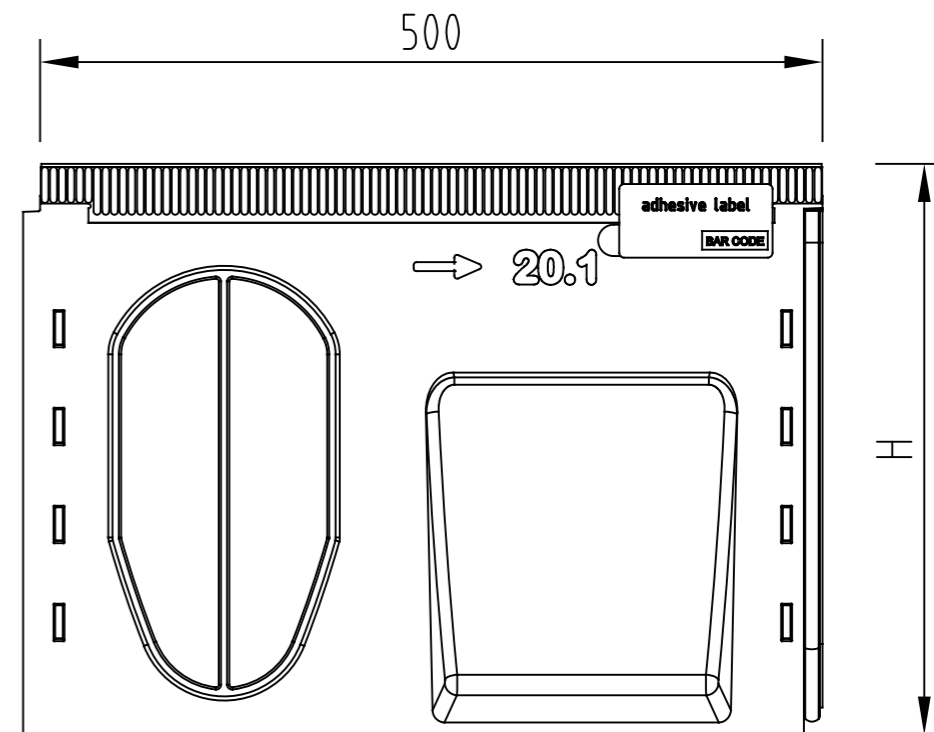
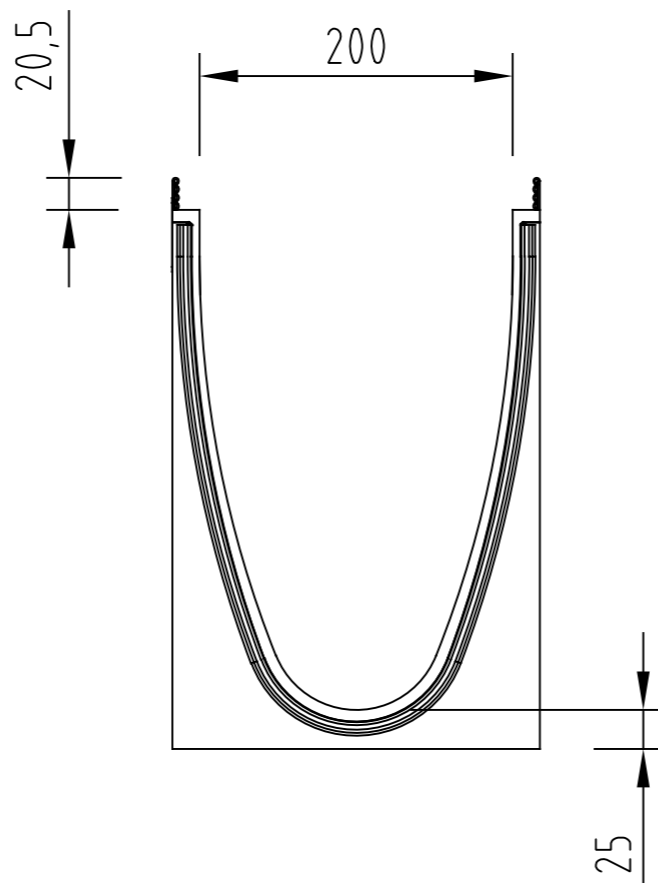
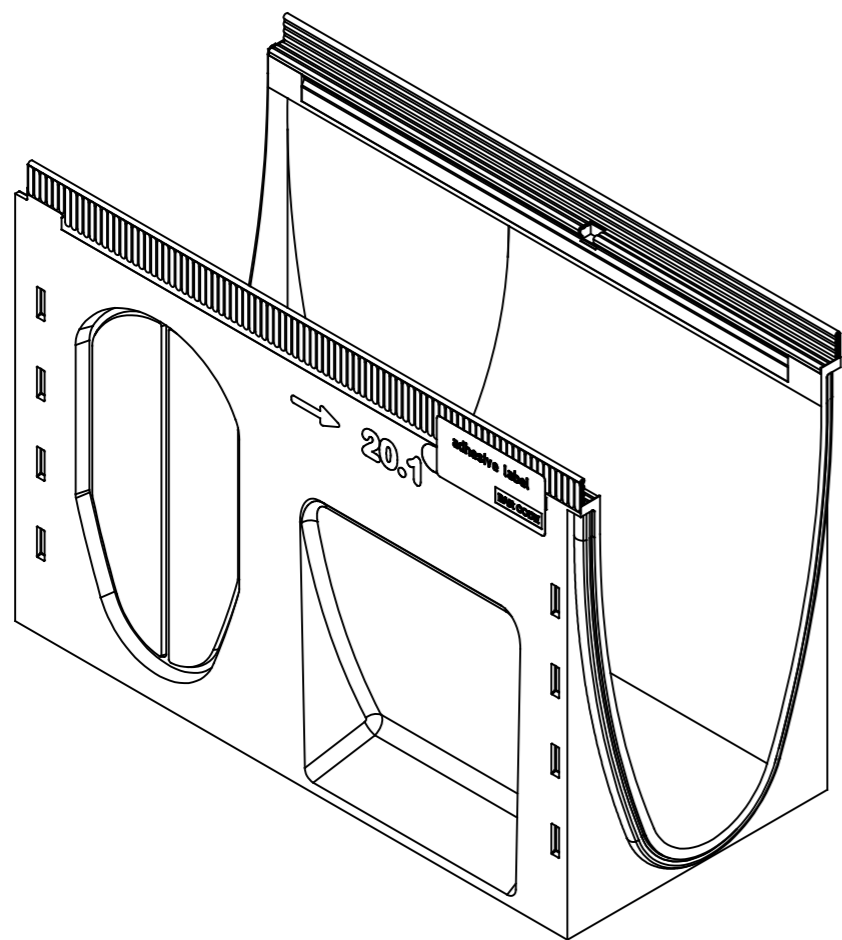
| Type | H1 (mm) | H2 (mm) | Edge galv. steel Art.-No. | Edge stainl. steel Art.-No. | Type | H1 (mm) | H2 (mm) | Edge galv. steel Art.-No. | Edge stainl. steel Art.-No. |
|------|---------|---------|---------------------------|-----------------------------|------|---------|---------|---------------------------|-----------------------------|
| 1 | 265 | 270 | 133501 | 133701 | 6 | 290 | 295 | 133506 | 133706 |
| 2 | 270 | 275 | 133502 | 133702 | 7 | 295 | 300 | 133507 | 133707 |
| 3 | 275 | 280 | 133503 | 133703 | 8 | 300 | 305 | 133508 | 133708 |
| 4 | 280 | 285 | 133504 | 133704 | 9 | 305 | 310 | 133509 | 133709 |
| 5 | 285 | 290 | 133505 | 133705 | 10 | 310 | 315 | 133510 | 133710 |

| | | | |
|--|--------------------------|--------------|--|
|  ACO SEVERIN AHLMANN GmbH & Co.KG 24755 Rendsburg, P.O.Box 320 Germany Tel. 0049 4331 / 354-0 Fax 0049 4331 / 354 130 www.aco.com | drawing-no: | index: | documenttype: marketing drw. |
| | created by: G. Olesen | reviewed by: | projection: ISO-E  |
| title: Multiline Seal in Slope Channel V200S 1m 1-10 with galvanized steel or stainless steel rail Here shown type 1 | | | |
| The reproduction, distribution and utilization of this document as well as the communication of its contents to others without express authorization is prohibited. Offenders will be held liable for the payment of damages. All rights reserved in the event of the grant of a patent, utility model or design. Observe copyright by ISO 16016 | | | release date: |
| | | | sheet: 1/1 |





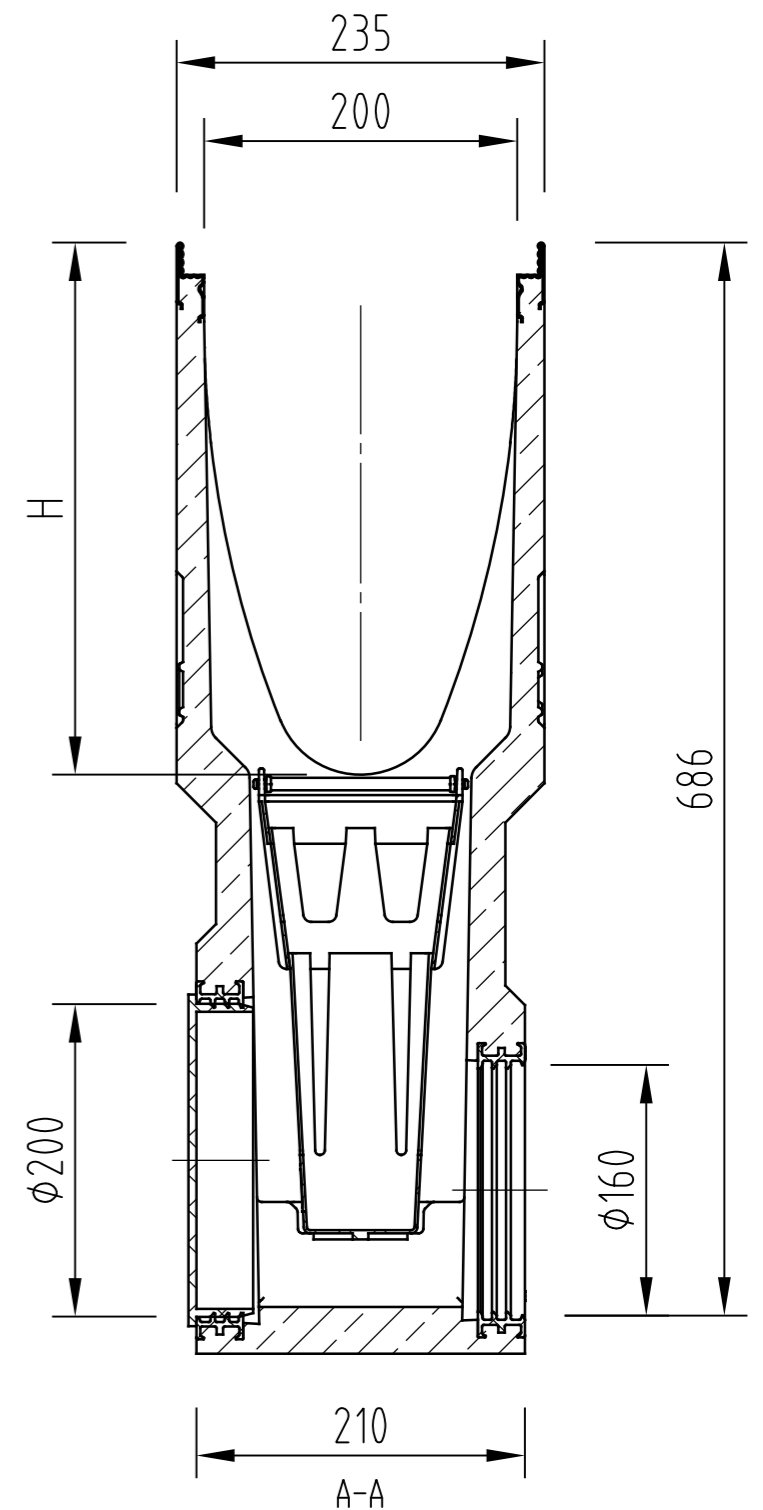
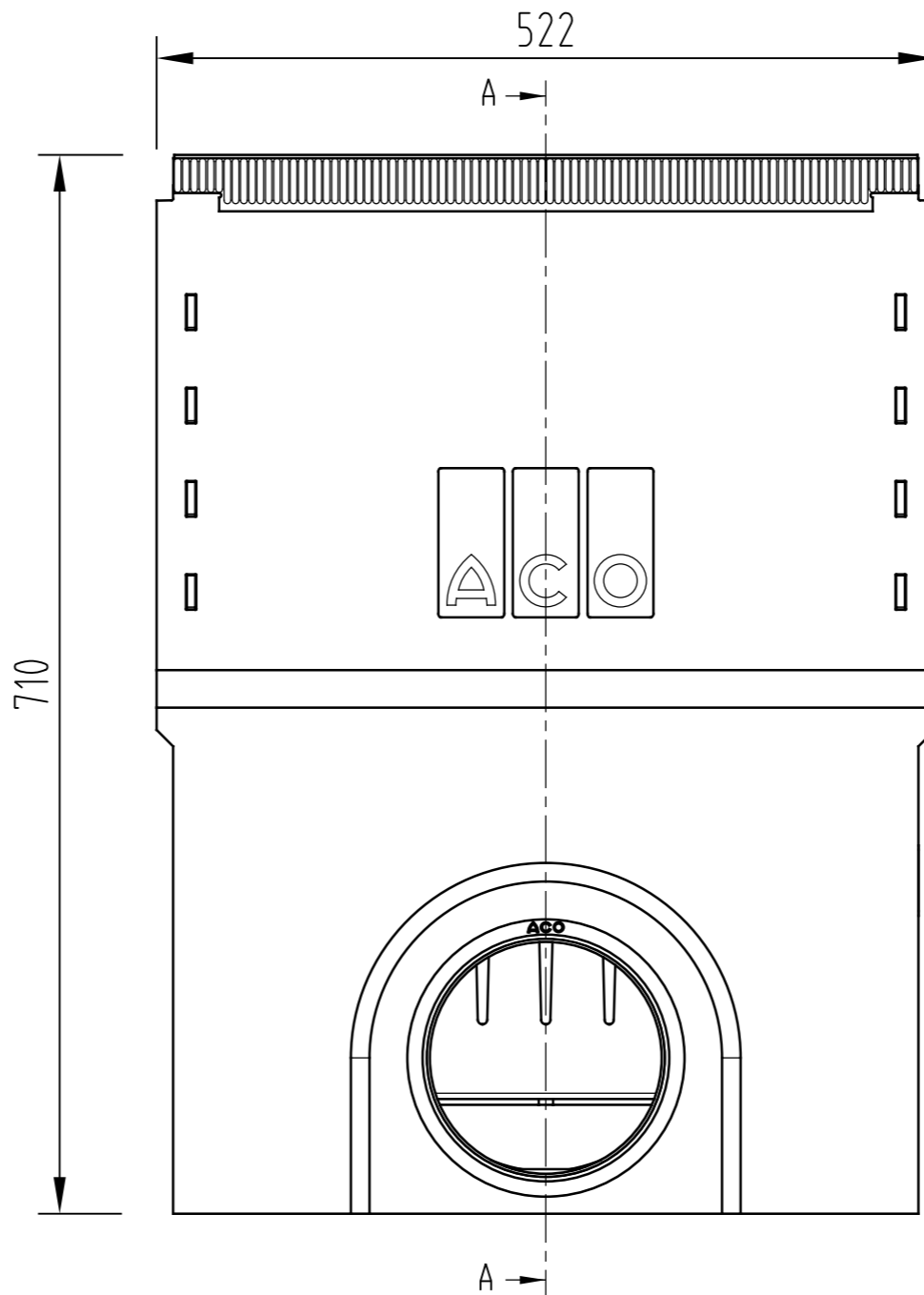
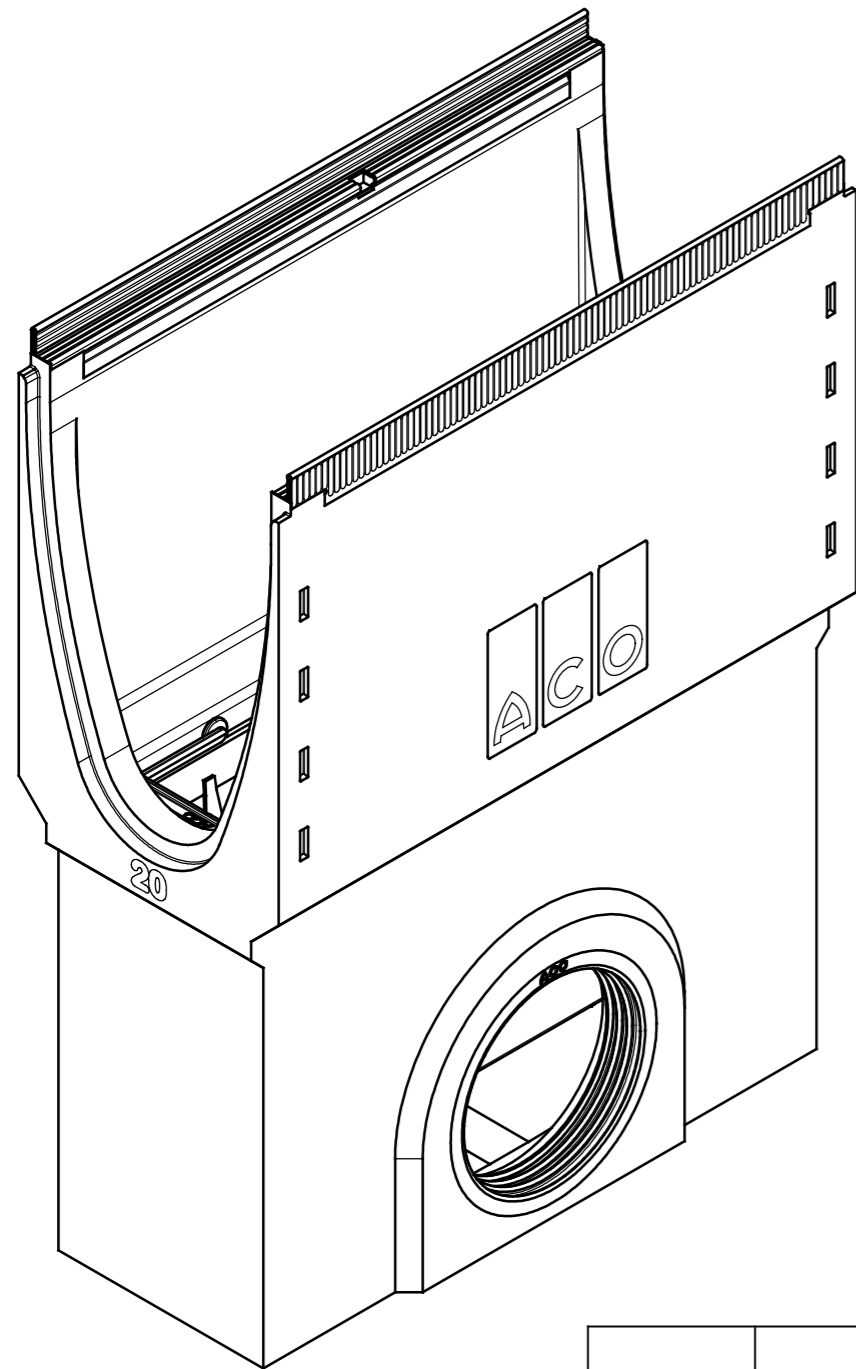
| Type | H (mm) | Edge galv. steel Art.-No. | Edge stainl. st. Art.-No. |
|--------|--------|---------------------------|---------------------------|
| 0.0.2 | 275 | 133534 | 133734 |
| 5.0.2 | 300 | 133544 | 133744 |
| 10.0.2 | 325 | 133554 | 133754 |
| 20.0.2 | 375 | 133574 | 133774 |

| | | | |
|--|--------------------------|--------------|--|
|  ACO SEVERIN AHLMANN GmbH & Co.KG 24755 Rendsburg, P.O.Box 320 Germany Tel. 0049 4331 / 354-0 Fax 0049 4331 / 354 130 www.aco.com | drawing-no: | index: | documenttype: marketing drw. |
| | created by: G. Olesen | reviewed by: | projection: ISO-E  |
| title: Multiline Seal in Channel V200S 1m LLS 0.0.2-20.0.2 with galvanized steel or stainless steel rail Here shown type 0.0.2 | | | release date: |
| The reproduction, distribution and utilization of this document as well as the communication of its contents to others without express authorization is prohibited. Offenders will be held liable for the payment of damages. All rights reserved in the event of the grant of a patent, utility model or design. Observe copyright by ISO 16016 | | | sheet: 1/1 |




| Type | H (mm) | Edge galv. steel Art.-No. | Edge stainl. st. Art.-No. |
|------|--------|---------------------------|---------------------------|
| 0 | 265 | 133531 | 133731 |
| 5 | 290 | 133541 | 133741 |
| 10 | 315 | 133551 | 133751 |
| 20 | 365 | 133571 | 133771 |

| | | | |
|--|--------------------------|--------------|---|
|  ACO SEVERIN AHLMANN GmbH & Co.KG 24755 Rendsburg, P.O.Box 320 Germany Tel. 0049 4331 / 354-0 Fax 0049 4331 / 354 130 www.aco.com | drawing-no: | index: | documenttype: marketing drw. |
| | created by: G. Olesen | reviewed by: | projection:ISO-E  scale: 1:1 |
| title: Multiline Seal in Channel V200S 0,5m 0.1-20.1 with galvanized steel or stainless steel rail Here shown type 20.1 | | | |
| The reproduction, distribution and utilization of this document as well as the communication of its contents to others without express authorization is prohibited. Offenders will be held liable for the payment of damages. All rights reserved in the event of the grant of a patent, utility model or design. Observe copyright by ISD 16016 | | | release date: sheet: 1/1 |



| Type | H (mm) | Edge galv. steel Art.-No. | Edge stainl. st. Art.-No. |
|------|--------|---------------------------|---------------------------|
| 0 | 240 | 133591 | 133791 |
| 5 | 265 | 133592 | 133792 |
| 10 | 290 | 133593 | 133793 |
| 20 | 340 | 133594 | 133794 |

| | | | |
|--|--------------------------|--------------|------------------------------------|
|  ACO SEVERIN AHLMANN GmbH & Co.KG 24755 Rendsburg, P.O.Box 320 Germany Tel. 0049 4331 / 354-0 Fax 0049 4331 / 354 130 www.aco.com | drawing-no: | index: | documenttype: marketing drw. |
| | created by: G. Olesen | reviewed by: | projection: ISO-E scale: 1:1 |
| title: Multiline Seal in Sump unit V200 DN160-DN200 0-20 with galvanized steel rail or stainless steel rail Here shown type 20 | | | |
| The reproduction, distribution and utilization of this document as well as the communication of its contents to others without express authorization is prohibited. Offenders will be held liable for the payment of damages. All rights reserved in the event of the grant of a patent, utility model or design. Observe copyright by ISD 16016 | | | release date: sheet: 1/1 |